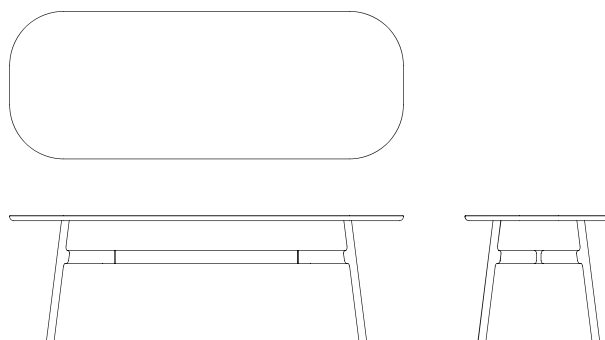


Marshall dining table

Woak



Design: Zoran Jedrejčić
 Construction: Easy to assemble
 Material: Walnut or oak
 Surface treatment: Lacquer or oil
 Packing unit: 2



W		D		H	Packing (cm)	Volume (m ³)	Weight (kg)	
180 cm	x	90 cm	x	75 cm	189 / 98 / 8	0.148	47	Package 1
200 cm	x	90 cm	x	75 cm	209 / 98 / 8	0.164	51	
220 cm	x	90 cm	x	75 cm	229 / 98 / 8	0.180	55	
240 cm	x	90 cm	x	75 cm	249 / 98 / 8	0.195	59	
300 cm	x	90 cm	x	75 cm	309 / 98 / 8	0.242	73	
180 cm	x	100 cm	x	75 cm	189 / 108 / 8	0.163	51	
200 cm	x	100 cm	x	75 cm	209 / 108 / 8	0.181	56	
220 cm	x	100 cm	x	75 cm	229 / 108 / 8	0.198	61	
240 cm	x	100 cm	x	75 cm	249 / 108 / 8	0.215	66	
300 cm	x	100 cm	x	75 cm	309 / 108 / 8	0.267	81	
					70 / 45 / 85	0.268	8	Table top: 160 cm
					80 / 45 / 85	0.306	9	Table top: 180 cm
					100 / 45 / 85	0.383	10	Table top: 200 cm
					120 / 45 / 85	0.459	11	Table top: 220 cm
					130 / 45 / 85	0.497	12	Table top: 240 cm
					190 / 45 / 85	0.727	14	Table top: 300 cm